

- Industrial Dispensing Equipment & Adhesive Systems
- Industrial Tooling & Maintenance Services
- Industrial Contracting, Engineering & Automation

☑ *InduTech Int. :*



With *InduTech Int.*, we serve the industry with *(Total-)Cost-Effective ...*

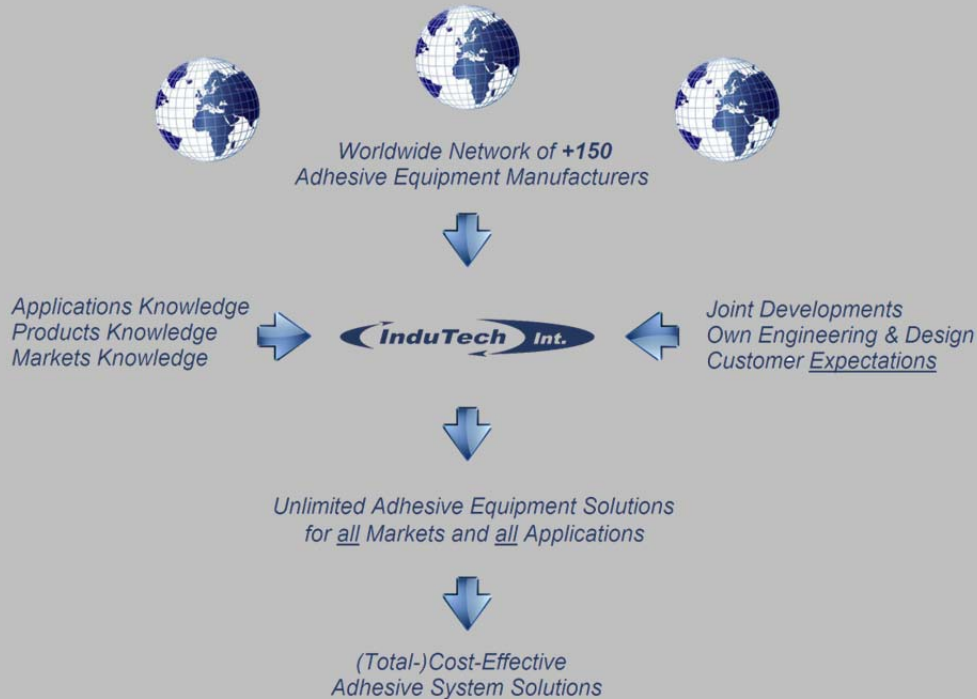
- ☑ industrial Adhesive & Sealant Dispensing Systems,
- ☑ *related* industrial Engineering, Automation, Main- & Sub-Contracting,
- ☑ *related* industrial Maintenance Services and General Parts Supply.

☑ *InduTech Int. : Our History :*

- 1986 JF Wouters started working for **Nordson Belgium**, as a Sales Engineer, Account Mgr & Applications Specialist.
- 1992 JFW worked for **Nordson Engineering GmbH** in Lüneburg (DE), as a European Account Manager for Larger Engineered Automotive Systems in Europe (Ford, Volvo, Opel, VW, PSA, Renault, ...) and Tier One Automotive SubSuppliers in Europe.
- 1997 JFW decides to leave Nordson and starts *InduTech Int.* as a home based company, representing *selected* (Hot Melt) Equipment Manufacturers of *highly technical and highly performant* Adhesive Dispensing System solutions.
- 1999 After 2 years, *InduTech Int.* relocates to an industrial building in Zandhoven (BE)
InduTech Int. is enjoying a growing satisfied customer base, and needs more space for handling the growing sales & product range and expanding the technical service support and the warehousing.
- 2000 J. Guns, General Sales Manager for Nordson BeNeLux, leaves Nordson and joins *InduTech Int.*
- 2004 Foundation of *InduTech Int. BV* as a dedicated sales organization for the **Netherlands**.
- 2009 Starting of *InduTech Int.* activities in **France**, through our sales agent, Bernard De Jonckheere.
- 2015 *InduTech Int.* is today a company with :
 - 11 people
 - Sales exceeding 2.500.000 €
 - ... and having plenty of ideas for further growth, making a *reputation* through *satisfied* customers !

- Industrial Dispensing Equipment & Adhesive Systems
- Industrial Tooling & Maintenance Services
- Industrial Contracting, Engineering & Automation

☑ **InduTech Int. : Our Activities and Added Values :**



- ☑ Most of our employees have **20-30 years** of experience in the Sales, Engineering, Installation and Service Support of industrial Adhesive & Sealant Dispensing Systems (mostly ex. Nordson),
 - ↳ all together, we are offering our customers the advantage of **+200 years** of experience gained during **many 1.000's** of already installed Adhesive Dispensing Systems, in our life-times.
- ☑ Depending on each application and customer expectation, we carefully select and offer the best available Adhesive Dispensing Equipment solution from a *selection of Highly Technical and Highly Performant* Adhesive & Sealant Equipment Manufacturers, in the world.
 - ↳ This allows us to offer *standard* equipment (or components) where already existing and directly available completed with *custom made (engineered)* equipment (or components), where not existing, resulting in the most *(Total-)Cost Effective* **Dispensing System Solutions**, for our customers.
- ☑ By extrapolation, depending on each application and customer expectation, we carefully select and offer the best possible Production Machinery Automation solution from a *selection of Highly Technical and Highly Specialized* available Production Machinery Automation Manufacturers.
 - ↳ This allows us to offer *standard* machinery (or components) where already existing and directly available completed with *custom made (engineered)* Automation (or components), where not existing, resulting in the most *(Total-)Cost Effective* **Total Production Solutions**, for our customers.
- ☑ All this, completed with Highly Technical Customer Service Support and General Parts supply at *highly competitive* and *very honest* market prices.

With *InduTech Int.*, we maintain good relationships with many of our suppliers & sub-contractors, offering a virtually *unlimited* Equipment Program, virtually *unlimited* Engineering Resources and Worldwide Service Support capabilities **at your service !**

- Industrial Dispensing Equipment & Adhesive Systems
- Industrial Tooling & Maintenance Services
- Industrial Contracting, Engineering & Automation

☑ **HotMelt Adhesive Dispensing Systems :**



HM Piston Pump Units, 4, 8, 14 kgs



Gear Pump Units, 8, 14, 30 & 50 kgs



HM Piston Pump Units, 4, 8, 16, 30 & 50 kgs

Gear Pump Units, 8..50 kgs

Gear Pump Unit for HandGuns



Auto Refill Systems for (all) Hot Melt Units



Melton Kube (granular) Hot Melt Systems



Gun Pattern Timers / Controllers & System Accessories

- Industrial Dispensing Equipment & Adhesive Systems
- Industrial Tooling & Maintenance Services
- Industrial Contracting, Engineering & Automation

☑ **HotMelt Adhesive Dispensing Systems :**



HM Gear Pump Units for Standard Hot Melts, 2 .. 2.000 kgs



HM Gear Pump Units for Polyamide Hot Melts



HM Gear Pump Units for reactive (PUR-)Hot Melts

- Industrial Dispensing Equipment & Adhesive Systems
- Industrial Tooling & Maintenance Services
- Industrial Contracting, Engineering & Automation

☑ **HotMelt Adhesive Dispensing Systems :**



Hot Melt Extruders



Hot Melt Turbo Melters (up-to 390 kgs/hr)



Reverse Bag Melters for reactive (PUR-)Hot Melts



Hot Melt Pump Metering Stations

Hot Melt Buffer Units

- Industrial Dispensing Equipment & Adhesive Systems
- Industrial Tooling & Maintenance Services
- Industrial Contracting, Engineering & Automation

☑ **HotMelt Adhesive Dispensing Systems :**



Hot Melt Pail Melters (20 ltr)

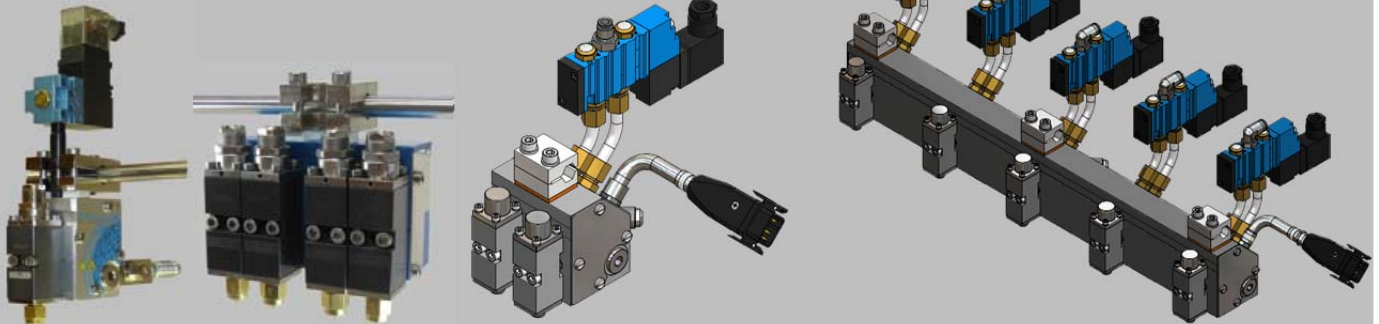


Hot Melt Drum Melters (200 ltr)

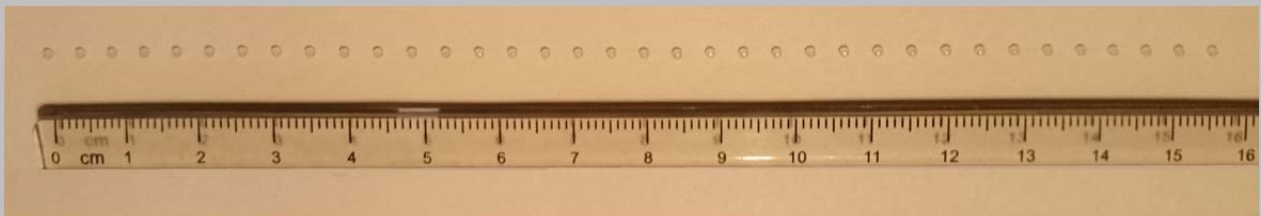
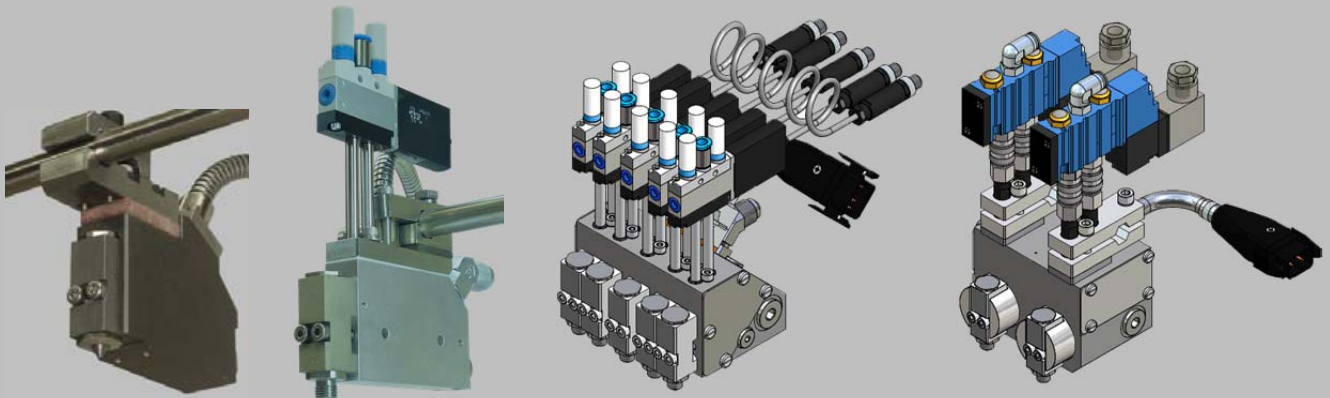
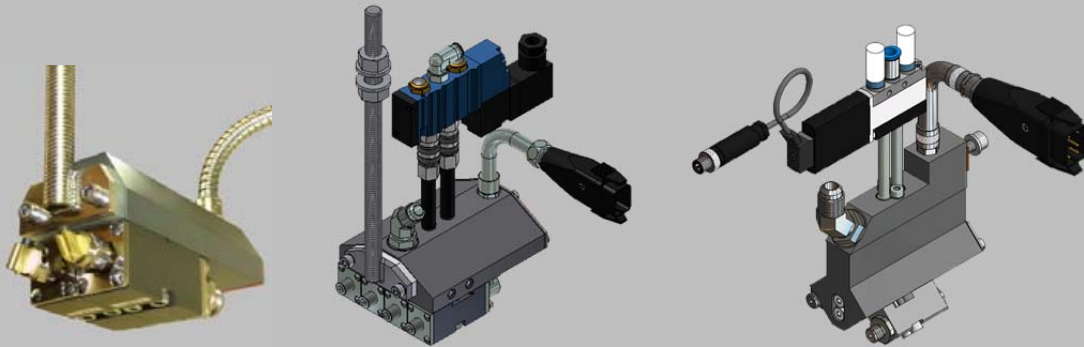


- Industrial Dispensing Equipment & Adhesive Systems
- Industrial Tooling & Maintenance Services
- Industrial Contracting, Engineering & Automation

☑ **HotMelt Heated Dispensing Guns & Applicators :**



Hot Melt Guns, Standard

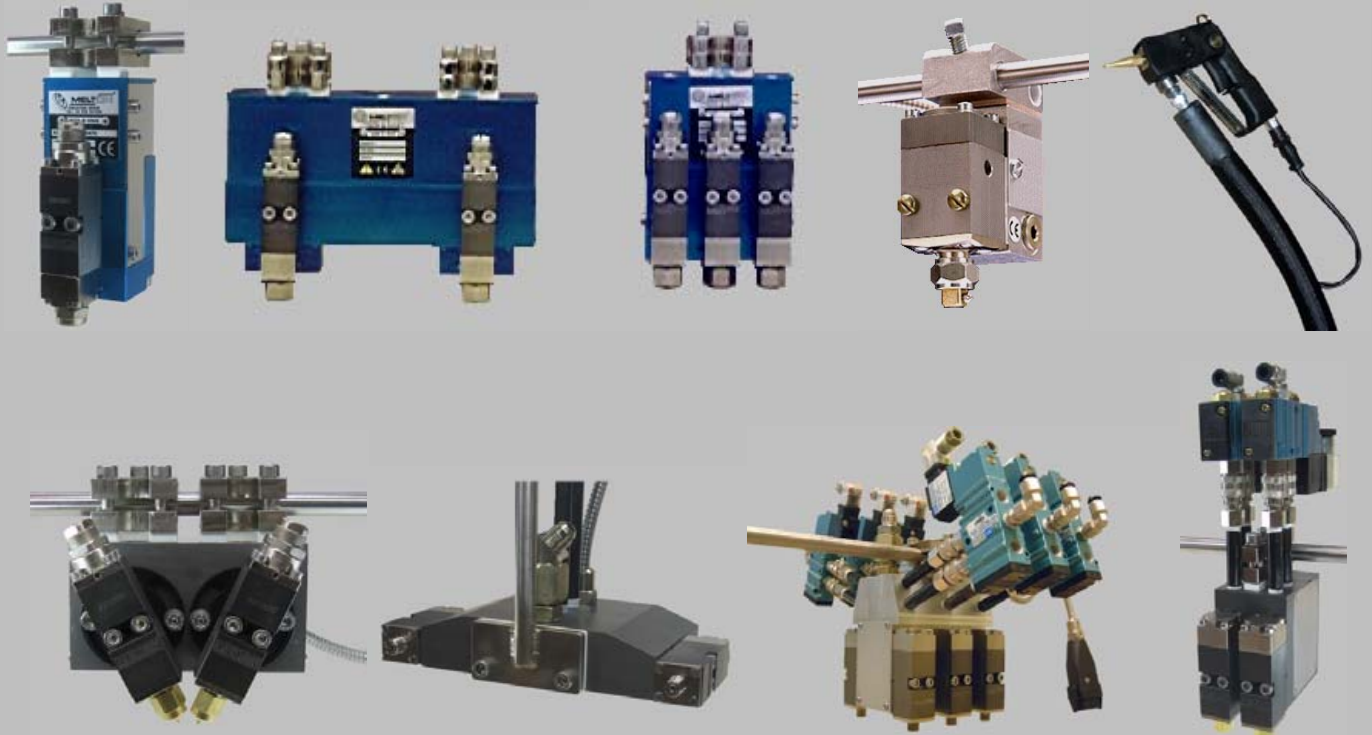


Hot Melt Mini Guns, Very High Performance



- Industrial Dispensing Equipment & Adhesive Systems
- Industrial Tooling & Maintenance Services
- Industrial Contracting, Engineering & Automation

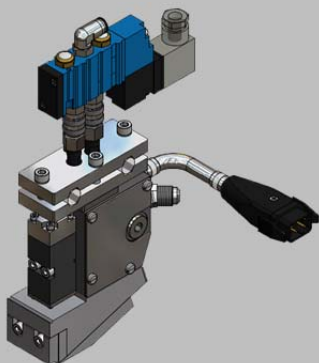
☑ **HotMelt Heated Dispensing Guns & Applicators :**



Hot Melt Guns, "Customized Specials"



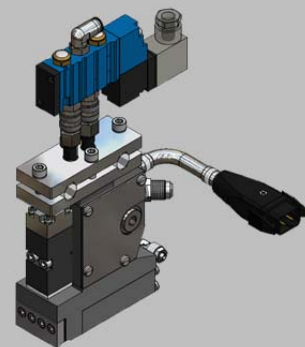
Hot Melt MultiBead / MultiLine Extrusion Heads



Hot Melt Guns, SlotCoating



SlotCoating with FlowMeter



Hot Melt Guns, FiberSpray



- Industrial Dispensing Equipment & Adhesive Systems
- Industrial Tooling & Maintenance Services
- Industrial Contracting, Engineering & Automation

☑ **HotMelt Heated SlotNozzle Coating Heads :**



Hot Melt SlotNozzle Coating Heads



Metered Pump, Servo Motor Controlled, SlotNozzle Coating Heads

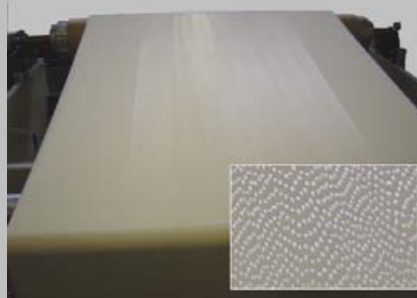


- Industrial Dispensing Equipment & Adhesive Systems
- Industrial Tooling & Maintenance Services
- Industrial Contracting, Engineering & Automation

☑ **HotMelt Heated SlotNozzle Coating Heads :**



Metered Pump, Servo Motor Controlled, SlotNozzle Coating Heads



HotMelt "Porous Coat" SlotCoating



Multi-line SlotCoating Heads



HotMelt SlotNozzle Coating Heads with Variable Coating Width

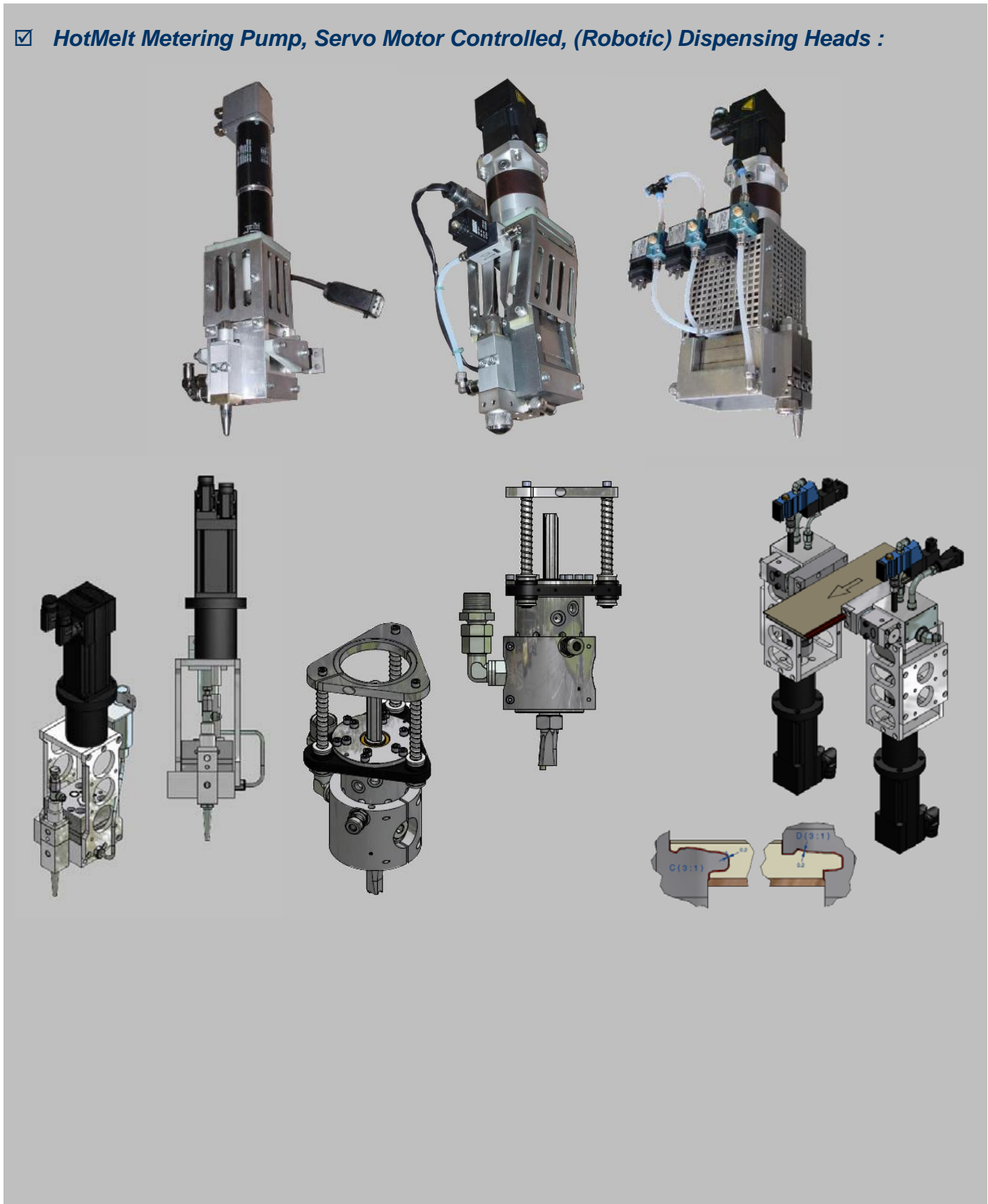


Edge Banding (Metered Gear Pump) Heads



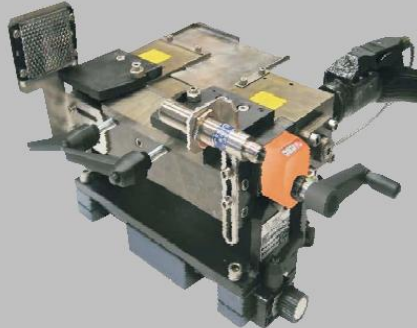
- Industrial Dispensing Equipment & Adhesive Systems
- Industrial Tooling & Maintenance Services
- Industrial Contracting, Engineering & Automation

☑ **HotMelt Metering Pump, Servo Motor Controlled, (Robotic) Dispensing Heads :**



- Industrial Dispensing Equipment & Adhesive Systems
- Industrial Tooling & Maintenance Services
- Industrial Contracting, Engineering & Automation

☑ **Specific Hot Melt Systems :**



(PUR-)HM Book Binding Applicators



HM Cable Coating Head



Cable Coating Unit



Cable Coating Unit



HotMelt Moulding Units & Stations

- Industrial Dispensing Equipment & Adhesive Systems
- Industrial Tooling & Maintenance Services
- Industrial Contracting, Engineering & Automation

☑ **HotMelt Coating Lines :**



- Industrial Dispensing Equipment & Adhesive Systems
- Industrial Tooling & Maintenance Services
- Industrial Contracting, Engineering & Automation

☑ **HotMelt Coating Lines :**



UV Curing HotMelt Coating Line

- Industrial Dispensing Equipment & Adhesive Systems
- Industrial Tooling & Maintenance Services
- Industrial Contracting, Engineering & Automation

☑ **Cold Glue (Non Heated) Roller Coater Solutions :**



SCB1 (Bottom)



CRA300 (Top+Bottom)



SCB1V (Vertical Roller)



SC2B (Top)



SC2R (Top)



SC4R (Top+Bottom)



CLN (Calander)

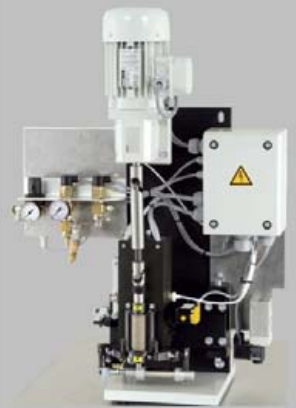
☑ **(PUR-)Hot Melt Roller Coater Solutions :**



TH300 (PU)



TH70V (PU)



WBA 350 (Top)



WLA 500 (Top)



WLA 650 (Top)



WLA 800 (Top+Bottom)

- Industrial Dispensing Equipment & Adhesive Systems
- Industrial Tooling & Maintenance Services
- Industrial Contracting, Engineering & Automation

☑ **(PUR-)Hot Melt Roller Coater Solutions :**



WLA 1200 (Top)



WLA1700 (Top+Bottom)



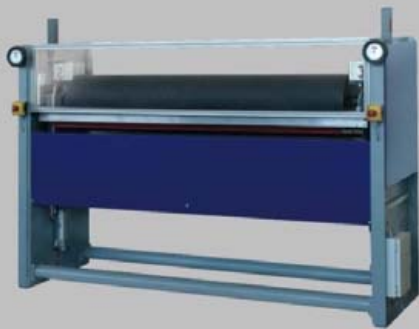
BRR (Rotational Brushing)



BRT (Tangential Brushing)



BRT (Tangential Brushing)



CRP (Calander Roller Press)



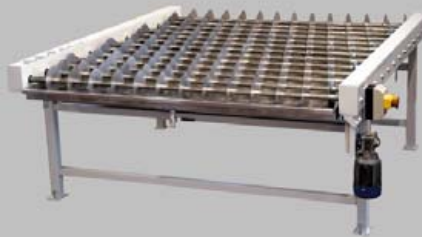
CRP (Calander Roller Press)



CCP (Calander Carpet Press)



Roller Conveyors



Disk Conveyors



SPP (Panel Positioner)

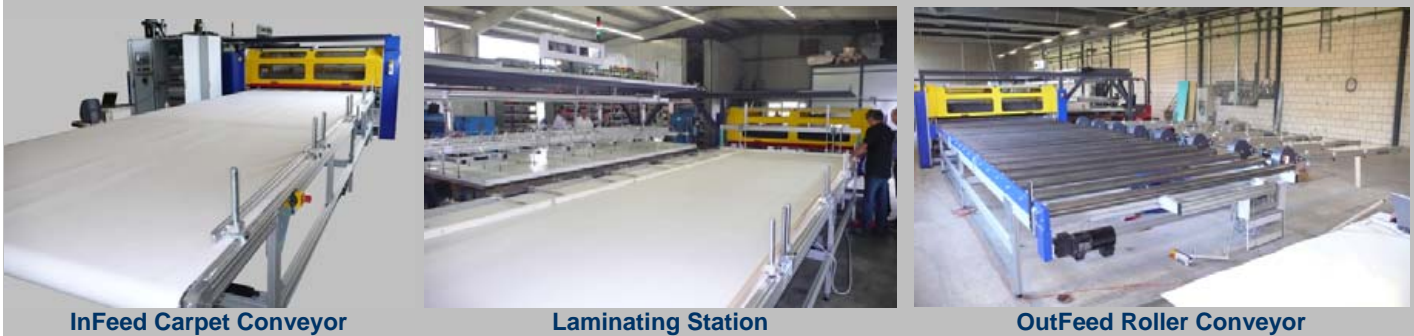


- Industrial Dispensing Equipment & Adhesive Systems
- Industrial Tooling & Maintenance Services
- Industrial Contracting, Engineering & Automation

☑ **Peripheral Automation : Main- & Sub- Contracting :**



☐ **Semi-Automatic (PUR-)HM Sandwich Panel Assembly Line :**

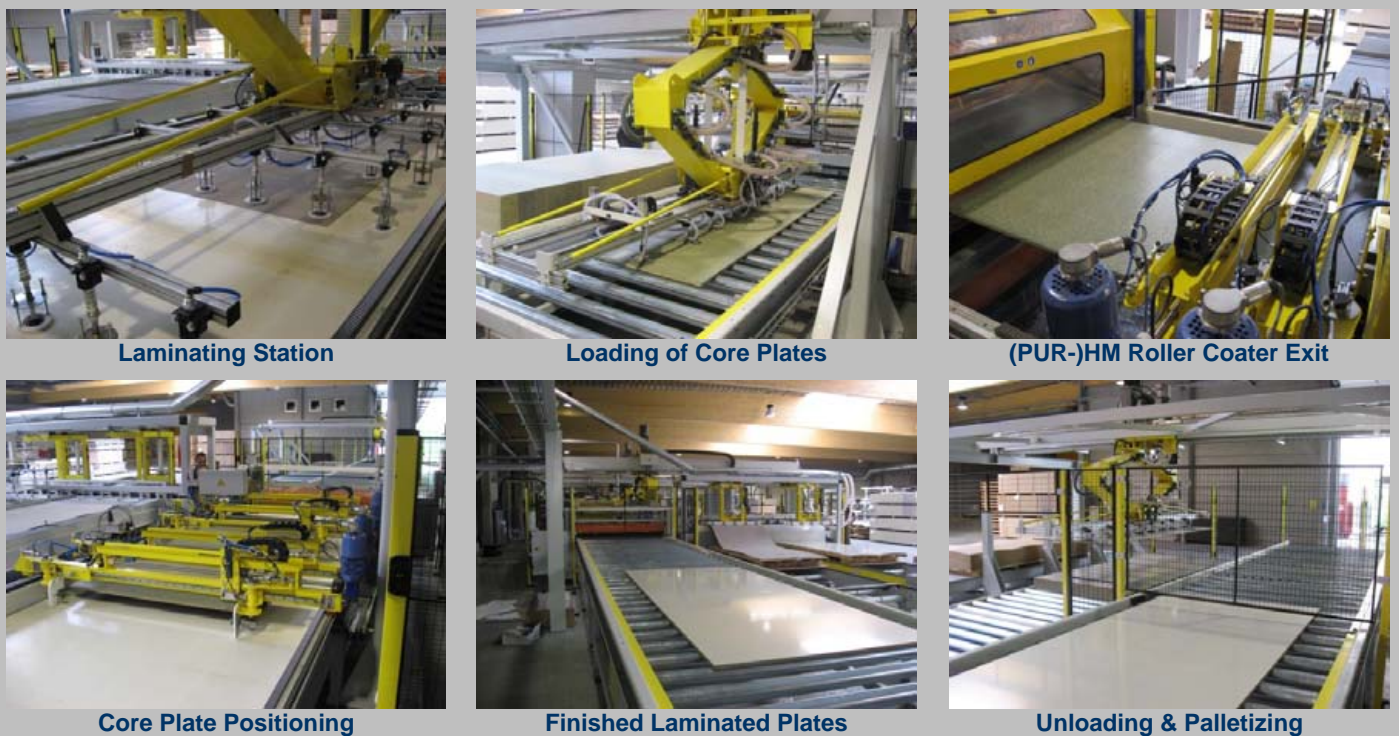


InFeed Carpet Conveyor

Laminating Station

OutFeed Roller Conveyor

☐ **Full Automatic (PUR-)HM Wood Panel Laminating Line :**



Laminating Station

Loading of Core Plates

(PUR-)HM Roller Coater Exit

Core Plate Positioning

Finished Laminated Plates

Unloading & Palletizing



- Industrial Dispensing Equipment & Adhesive Systems
- Industrial Tooling & Maintenance Services
- Industrial Contracting, Engineering & Automation

☑ **Peripheral Automation : Main- & Sub- Contracting :**

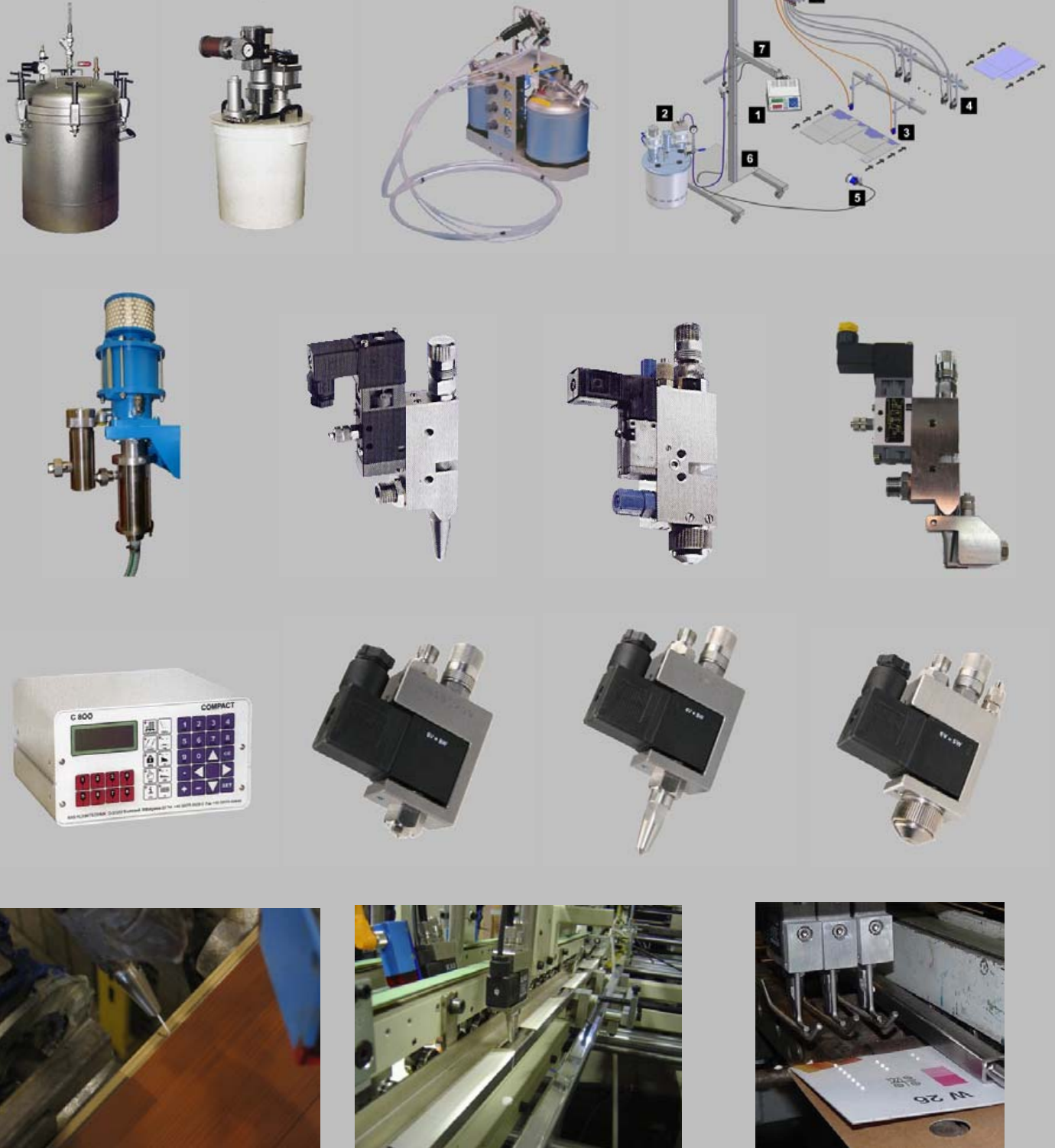


(PUR-)HM Shuttle Laminator Line



- Industrial Dispensing Equipment & Adhesive Systems
- Industrial Tooling & Maintenance Services
- Industrial Contracting, Engineering & Automation

☑ **Cold Glue Adhesive Dispensing Systems :**



- Industrial Dispensing Equipment & Adhesive Systems
- Industrial Tooling & Maintenance Services
- Industrial Contracting, Engineering & Automation

☑ **Single- & Multi-Component Adhesive & Sealant Dispensing Systems :**



☑ **Micro-dosing Adhesive & Sealant Dispensing Systems :**



- Industrial Dispensing Equipment & Adhesive Systems
- Industrial Tooling & Maintenance Services
- Industrial Contracting, Engineering & Automation

☑ **ITMS Customer Service Support :**



☑ **ITMS Rebuild & Reconditioning Services :**



HM WheelCoaters RA80

(PUR-)HotMelt Book Binding Units



- Industrial Dispensing Equipment & Adhesive Systems
- Industrial Tooling & Maintenance Services
- Industrial Contracting, Engineering & Automation

☑ **ITMS Rebuild & Reconditioning Services :**



☑ **ITMS Maintenance Products :**



☑ **Hot Melt BackUp & Repair :**



- Industrial Dispensing Equipment & Adhesive Systems
- Industrial Tooling & Maintenance Services
- Industrial Contracting, Engineering & Automation

☑ **Replacement Parts for Adhesive Systems :**



- Industrial Dispensing Equipment & Adhesive Systems
- Industrial Tooling & Maintenance Services
- Industrial Contracting, Engineering & Automation

☑ **Replacement Parts for Adhesive Systems :**



☑ **InduTech Int. : Contact Locations :**

InduTech Int. nv/sa
 Melkerijweg, 5
 BE-2240 Zandhoven
 Belgium
 T +32 (0)3 464 13 02
 F +32 (0)3 464 13 04
info@indutech.be

InduTech Int. BV
 Weegschaalstraat, 3
 NL-5632 CW Eindhoven
 Netherlands
 T +31 (0)40 291 12 34
 F +31 (0)40 291 12 35
info@indutech-int.com

InduTech Int. France
 395, Avenue de la Plage
 FR-59123 Bray Dunes
 France
 T +33 (0)6 80 37 17 11
 F +33 (0)3 28 24 28 04
info@indutech-int.com

InduTech Int. France
 La Bouëxière
 FR-35133 Parigné
 France
 T +33 (0)6 38 16 71 79
 T +33 (0)7 61 03 97 92
info@indutech-int.com

InduTech Int. France
 20, Avenue du général De Gaulle
 FR-52400 Bourbonne les Bains
 France
 T +33 (0)6 37 86 42 68
info@indutech-int.com